

# KT 504-4

Automatic Corner Clening Machinery with Four Cutter Set

\*Photos are for example purposes only

# INTELLIGENT MACHINES



## KT 504-4

Automatic Corner Clening Machinery with Four Cutter Set

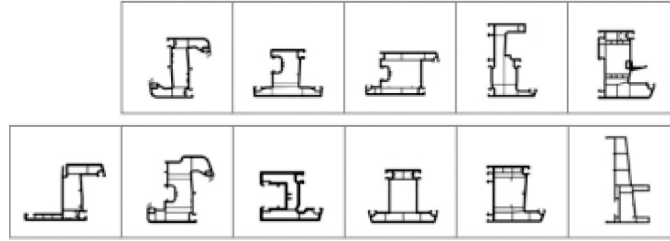
Cleans the welding burrs formed on the upper and lower surfaces of welded white and coated PVC profile frames with surface scraping blades

Cleans the welding burrs formed on the outer corners of welded profiles with 4 sets of different notching blades.


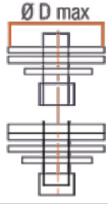
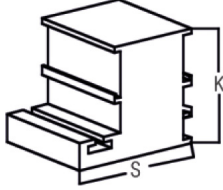



Ensures correct centering of frames with automatic centering system.

Vertical compression pistons fix the frames in the best way

Frame support stand is provided as standard



### Technical Data

TECHNICAL FEATURES								
				BAR	Air cons.			
KT 504.4	2 x 0.55 kW 400V 50Hz	Dmax=230 mm Dmin=80 mm D=32 mm	n=3000 RPM	S=100 mm K=90 mm	6-8 Bar	60 Lt/min	80x110x150 cm	200 kg

#### İNTEL MAKİNA A.Ş.

ADRES: Kayapa Sanayi Bölgesi 613. Sk.  
No:2/B Kayapa, Nilüfer/BURSA/TÜRKİYE  
www.intelmakina.com

(224) 504 30 32  
(224) 367 00 49  
@ info@intelmakina.com

