

ANTARES CC100

CNC PVC Profile Corner
Cleaning Machine

www.intelmakina.com



ANTARES CC100 CNC PVC Profile Corner Cleaning Machine

Designed to clean the corners of PVC profiles from welding seals. Intel Makina's CNC PVC Profile Corner Cleaning Machine are the only machines in this regard due to their durability and reliability features. It is ideal for Corner Cleaning PVC profiles of different thicknesses. These latest generation machines make a significant contribution to the production line phases thanks to their extremely clear and easy use in the cleaning process. All Cleaning operations on PVC profiles are gathered in one machine controlled by a computer.

TECHNICAL DETAILS

Power Supply	380-400 V, 3 ph, 50-60 Hz	Maximum Workable Profile Height	200 mm
Power Consumption	7 kw	Minimum Workable Profile Height	40 mm
Saw Blade Speed	2800 rpm	Maximum Workable Profile Width	130 mm
Drillers Speed	14000 rpm	Saw Outside Diameter	Ø250 mm
Air Consumption	102 lt/min.	Saw Inside Diameter	Ø30 mm
Air Pressure	6-8 bar	Saw Thickness	4-4,3 mm
Daily Product	200-240 (8 hours)	Machine Height	2150 mm
Saw Speed	3000 rpm	Machine Width	2560 mm
Machine Weight	1000 kg	Machine Length	2200 mm

GENERAL FEATURES

High speed precision control system with 2-axis servo motors.

High performance industrial PC with 15" touch screen, equipped with Windows XP embedded operating system.

Easy programming from DXF

Ability to define and recognize different profile heights.

Surface cleaning tool selection feature according to colored or white profiles.

Allow remote connection and control access via network connection.

Industrial PC based control panel unit

Easy file transfer with USB

Automatic Lubrication System

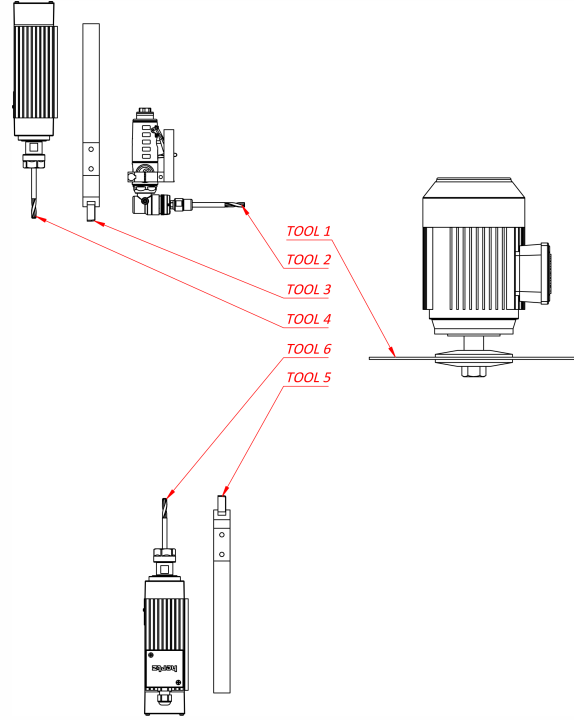
It has the ability to define and process files in dxf and dwg formats created in cad programs with windows-based PC operating system.

Maximum 180 mm. minimum 40 mm. profile processing range.

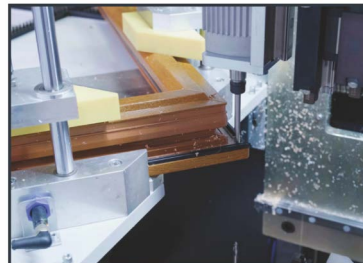
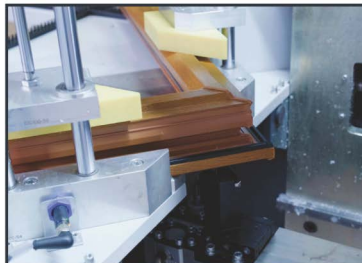
Ability to operate with 5 tools.

OPTIONAL FEATURES

Optionally, it can be connected to a 2-axis robotic turning station and can be adapted to a 4-corner welding machine.



Industrial PC



Precision Cleaning

